

Technical data sheet

Product features



Cooking range electric on open cabinet

Model	SAP Code	00014770
--------------	-----------------	----------



- Device type: Electric unit
- Power consumption of the zone 1 [kW]: 2,6
- Power consumption of the zone 2 [kW]: 2,6
- Power consumption of the zone 3 [kW]: 2,6
- Power consumption of the zone 4 [kW]: 2,6
- Power consumption of the zone 5 [kW]: 2,6
- Power consumption of the zone 6 [kW]: 2,6
- Protection of controls: IP24
- Material: AISI 304 top plate and cladding

SAP Code	00014770	Number of zones	6
Net Width [mm]	1200	Power consumption of the zone 1 [kW]	2,6
Net Depth [mm]	730	Power consumption of the zone 2 [kW]	2,6
Net Height [mm]	900	Power consumption of the zone 3 [kW]	2,6
Net Weight [kg]	73.00	Power consumption of the zone 4 [kW]	2,6
Power electric [kW]	15.600	Power consumption of the zone 5 [kW]	2,6
Loading	400 V / 3N - 50 Hz	Power consumption of the zone 6 [kW]	2,6

Technical data sheet

Technical drawing

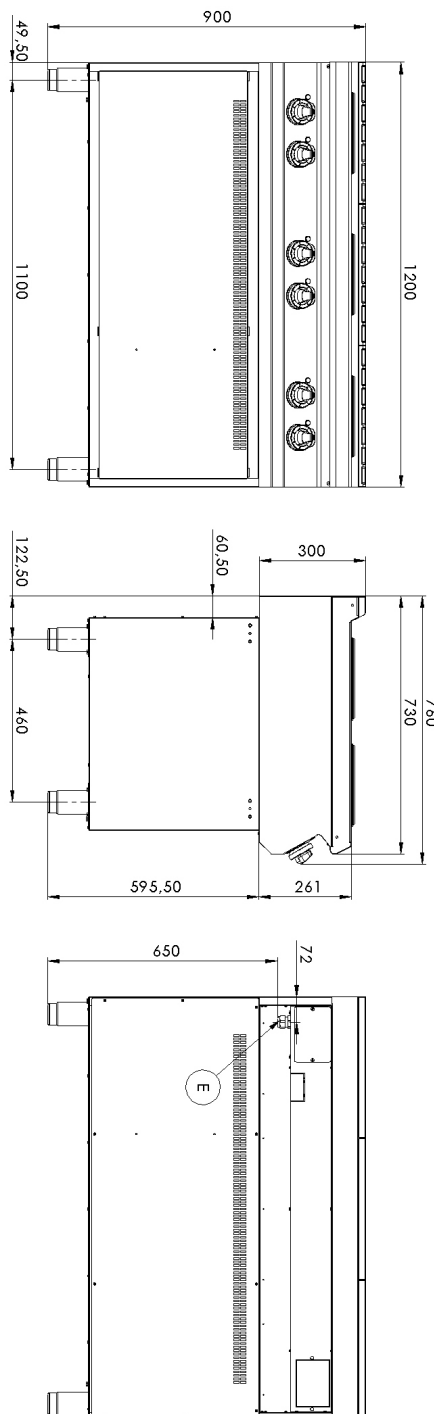


Cooking range electric on open cabinet

Model

SAP Code

00014770



Technical data sheet

Technical parameters



Cooking range electric on open cabinet

Model

SAP Code

00014770

1. SAP Code:

00014770

2. Net Width [mm]:

1200

3. Net Depth [mm]:

730

4. Net Height [mm]:

900

5. Net Weight [kg]:

73.00

6. Gross Width [mm]:

1260

7. Gross depth [mm]:

820

8. Gross Height [mm]:

1080

9. Gross Weight [kg]:

90.00

10. Device type:

Electric unit

11. Construction type of device:

With substructure

12. Power electric [kW]:

15.600

13. Loading:

400 V / 3N - 50 Hz

14. Protection of controls:

IP24

15. Exterior color of the device:

Stainless steel

16. Material:

AISI 304 top plate and cladding

17. Indicators:

operation

18. Worktop type:

Molded - comfortable cleaning maintenance

19. Worktop material:

AISI 304

20. Worktop Thickness [mm]:

1.50

21. Number of zones:

6

22. Power consumption of the zone 1 [kW]:

2,6

23. Power consumption of the zone 2 [kW]:

2,6

24. Power consumption of the zone 3 [kW]:

2,6

25. Power consumption of the zone 4 [kW]:

2,6

26. Power consumption of the zone 5 [kW]:

2,6

27. Power consumption of the zone 6 [kW]:

2,6

28. Maximum device temperature [°C]:

400

Technical data sheet

Technical parameters



Cooking range electric on open cabinet

Model	SAP Code	00014770
--------------	-----------------	----------

29. Minimum device temperature [°C]:

50

32. Number of burners/hot plates:

6

30. Service accessibility:

Trough the frontal panel

33. Type of electric cooking zones:

Oval

31. Adjustable feet:

Yes